

SPLIT TYPE
ROOM AIR CONDITIONER
CEILING WALL TYPE
INVERTER

SERVICE MANUAL



Indoor unit	Outdoor unit
AWYZ14LBC	AOYZ14LBC
AWYZ14LBC	AOYZ14LBL
AWYZ18LBC	AOYZ18LBC
AWYZ18LBC	AOYZ18LBL

CONTENTS

SPECIFICATIONS.....	1
OUTLINE AND DIMENSIONS	2
REFRIGERANT SYSTEM DIAGRAM.....	3
CIRCUIT DIAGRAM	4
INDOOR PCB CIRCUIT DIAGRAM	5
OUTDOOR PCB CIRCUIT DIAGRAM ...	8
ERROR CONTENTS.....	10
DISASSEMBLY ILLUSTRATION.....	11
PARTS LIST	15

SPECIFICATIONS

ELECTRICAL DATA

TYPE		Cooling and Heat-pump heating	
INDOOR UNIT		AWYZ14LBC	AWYZ18LBC
OUTDOOR UNIT		AOYZ14LB_	AOYZ18LB_
COOLING CAPACITY		4.2 kW	5.2 kW
HEATING CAPACITY		6.0 kW	6.7 kW
POWER SUPPLY		230 V 50 Hz	230 V 50 Hz
RUNNING CURRENT	Cooling	4.5 A	6.9 A
	Heating	5.9 A	7.2 A
INPUT WATTS	Cooling	1.02 kW	1.58 kW
	Heating	1.35 kW	1.63 kW
E.E.R.	Cooling	4.12 kW/kW	3.29 kW/kW
	Heating	4.44 kW/kW	4.11 kW/kW
MOISTURE REMOVAL		2.1 L/hr	2.8 L/hr
AIR CIRCULATION (HIGH)	Cooling	850 m ³ /hr	
	Heating	940 m ³ /hr	

COMPRESSOR AND REFRIGERANT

TYPE	Hermetic type, Inverter, Three phase Induction motor, Rotary	
DISCRIMINATION	808 - 907 - 80	
REFRIGERANT	R410A	1,350 g
FULL CHARGE	Pipe Length 15 m	1,350 g
	20 m	1,450 g
ADDITIONAL CHARGE	20 g/m	
MAX PIPE LENGTH	20 m	

DIMENSIONS AND WEIGHT

INDOOR UNIT	H x W x D	250 x 899 x 298 mm
OUTDOOR UNIT	H x W x D	578 x 790 x 300 mm
INDOOR UNIT	Gross / Net	17 kg / 13.5 kg
OUTDOOR UNIT	Gross / Net	43 kg / 39 kg

FAN MOTOR

POWER SOURCE		230 V	
INDOOR UNIT (cool / heat)	High speed	1,450 r.p.m. / 1,650 r.p.m.	
	Med speed	1,320 r.p.m. / 1,350 r.p.m.	
	Low speed	1,050 r.p.m. / 1,150 r.p.m.	
	Quiet	880 r.p.m. / 1,000 r.p.m.	
	Super quiet	730 r.p.m. / 820 r.p.m.	
OUTDOOR UNIT (cool / heat)		820 / 730 r.p.m.	820 / 730 r.p.m.

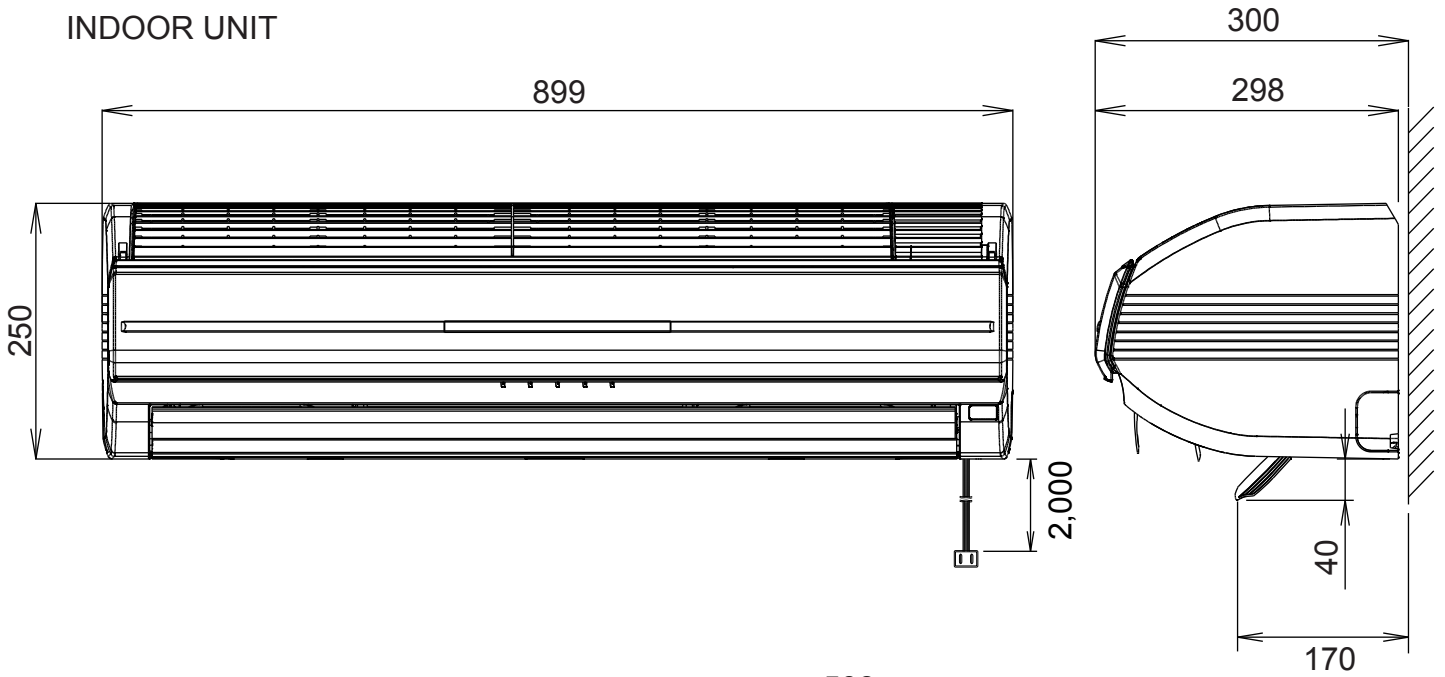
NOISE LEVEL

INDOOR UNIT (cool / heat)	High speed	46 dB / 46 dB	46 dB / 46 dB
	Med speed	43 dB / 39 dB	43 dB / 39 dB
	Low speed	35 dB / 34 dB	35 dB / 34 dB
	Quiet	29 dB / 29 dB	29 dB / 29 dB
	Super quiet	24 dB / 24 dB	24 dB / 24 dB
OUTDOOR UNIT (cool / heat)		46 dB / 47 dB	47 dB / 48 dB

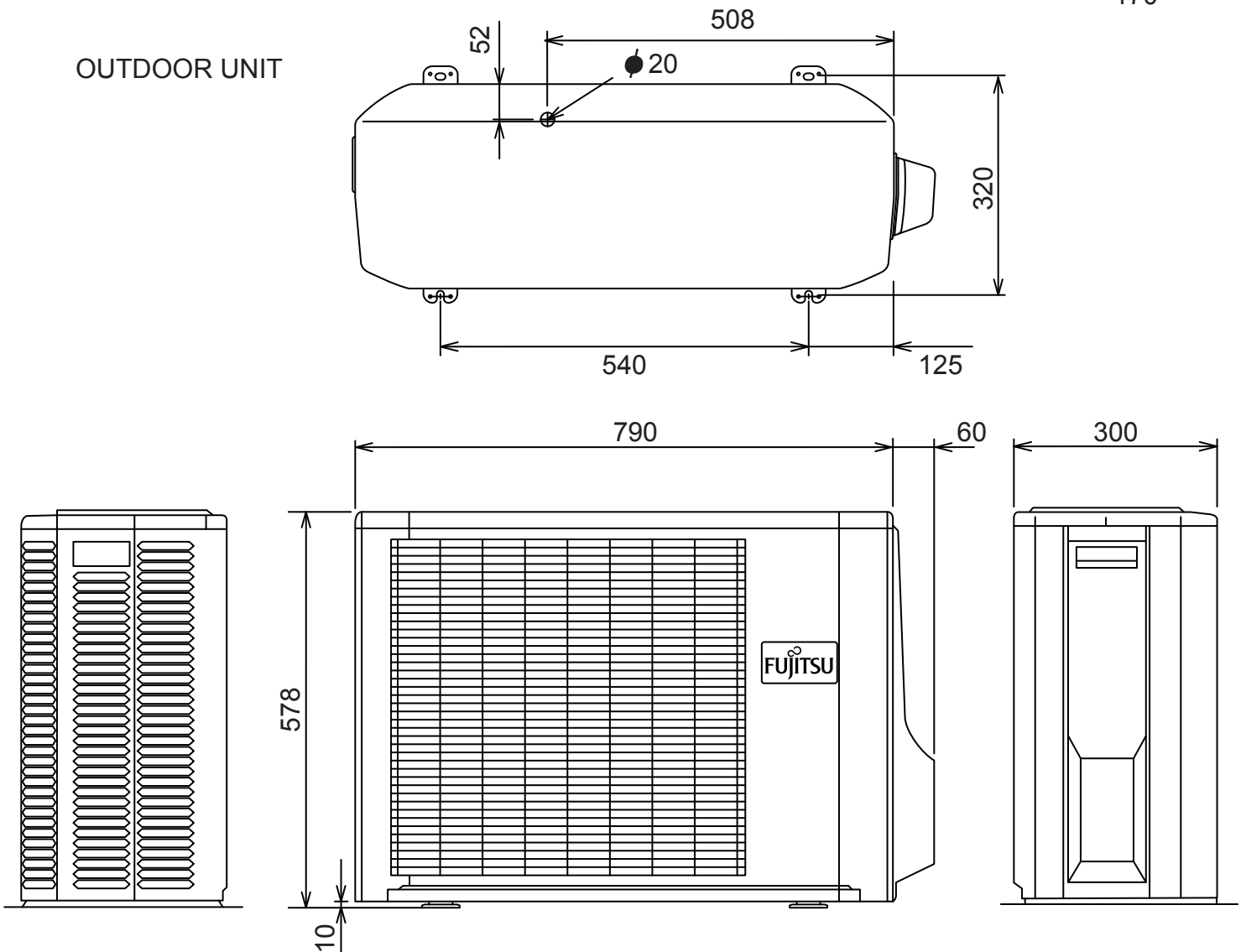
DIMENSIONS

Unit : mm

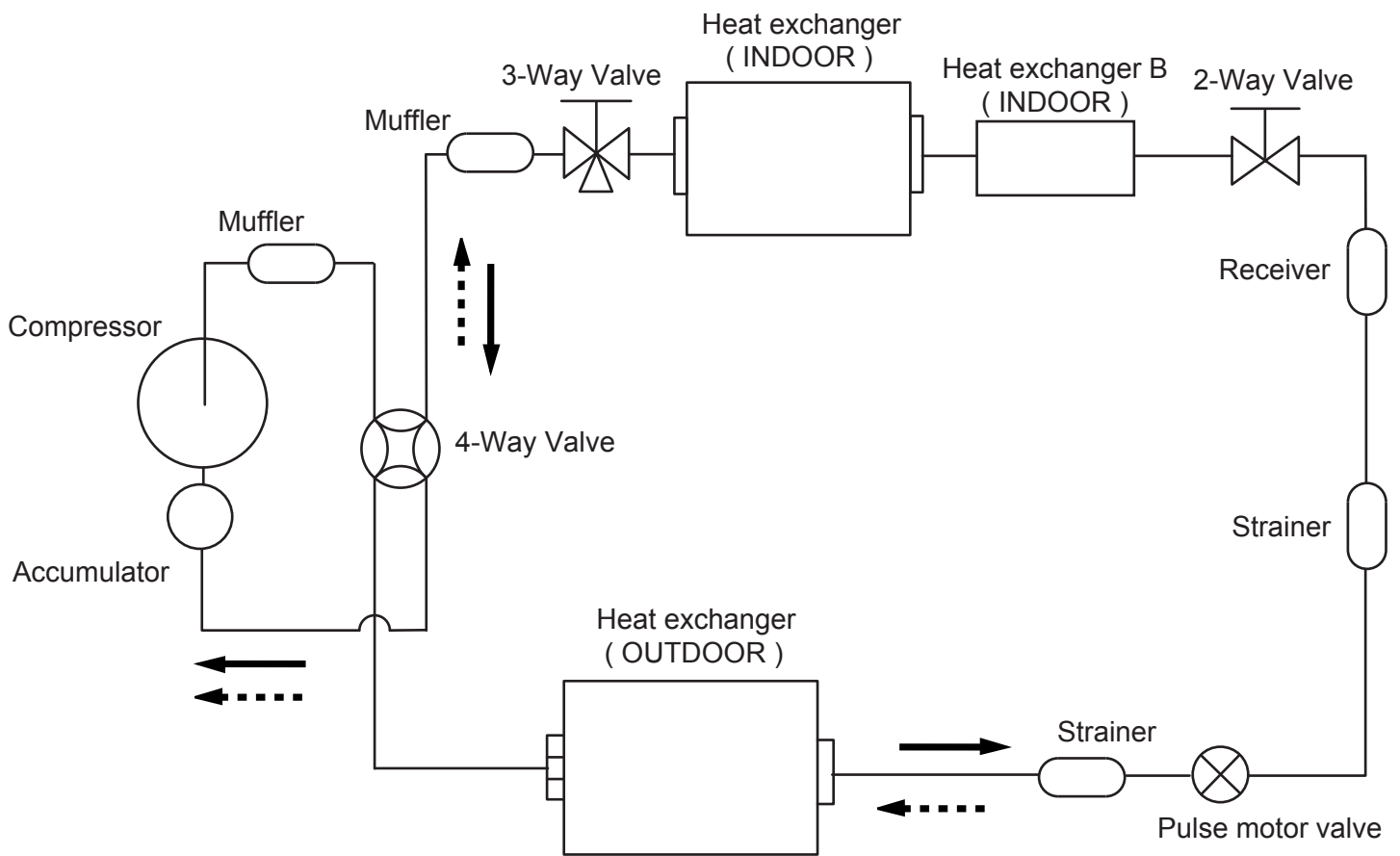
INDOOR UNIT



OUTDOOR UNIT



REFRIGERANT SYSTEM DIAGRAM

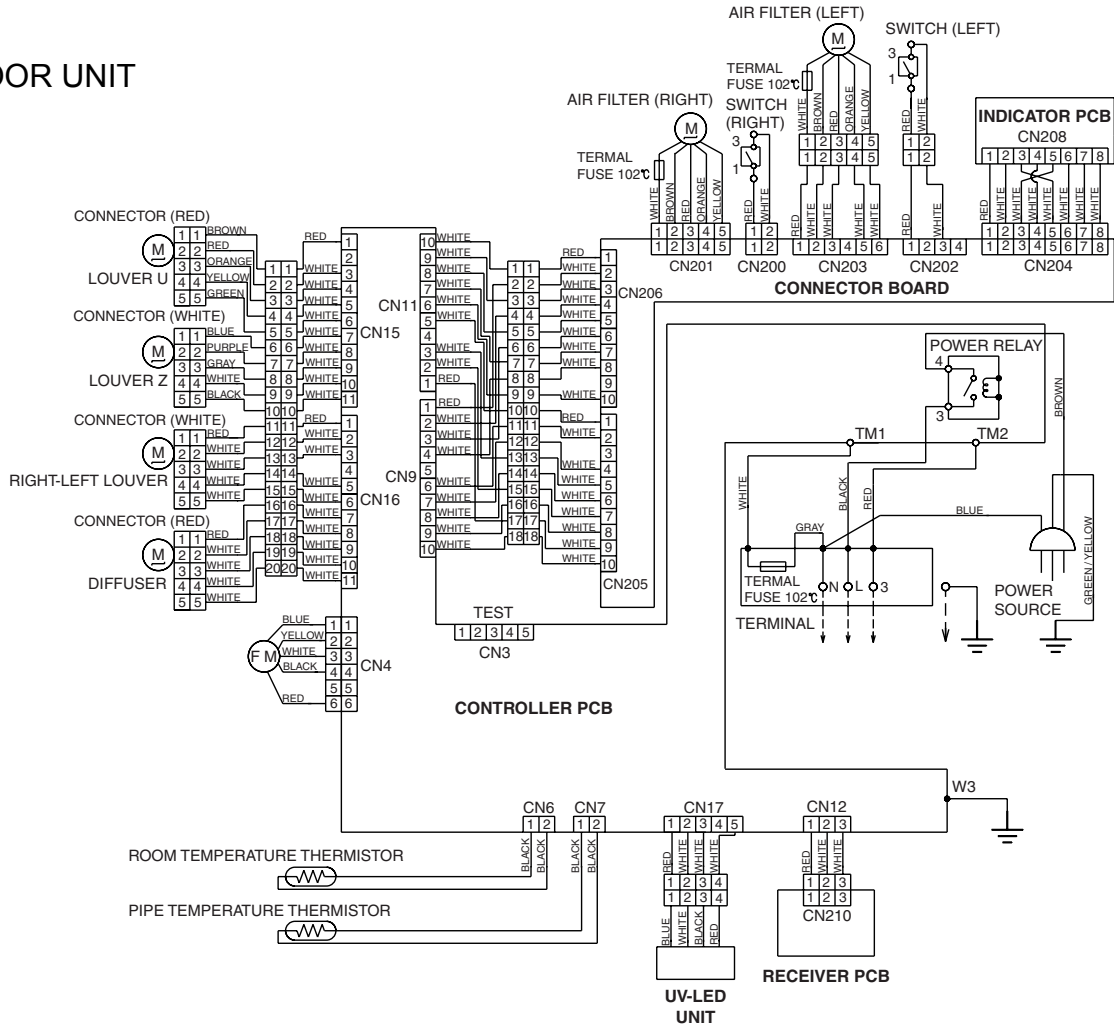


———→ Cooling
 - - - -> Heating

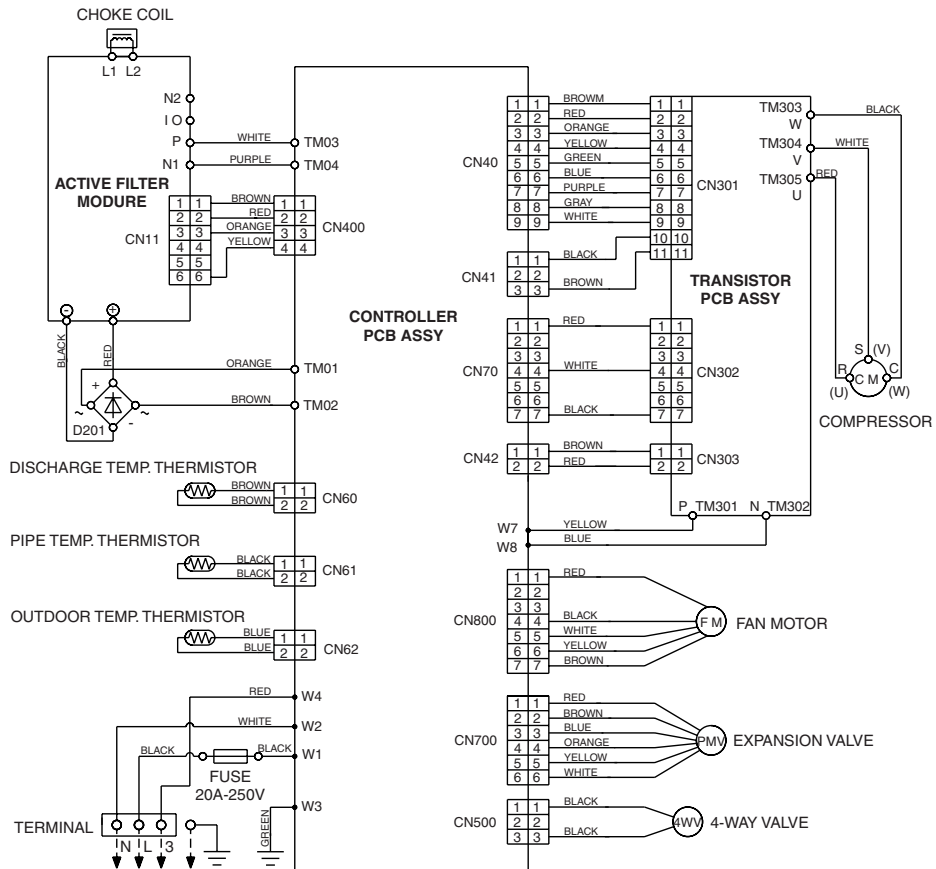
Liquid pipe : 6.35 mm
 Gas pipe : 12.7 mm

CIRCUIT DIAGRAM

INDOOR UNIT

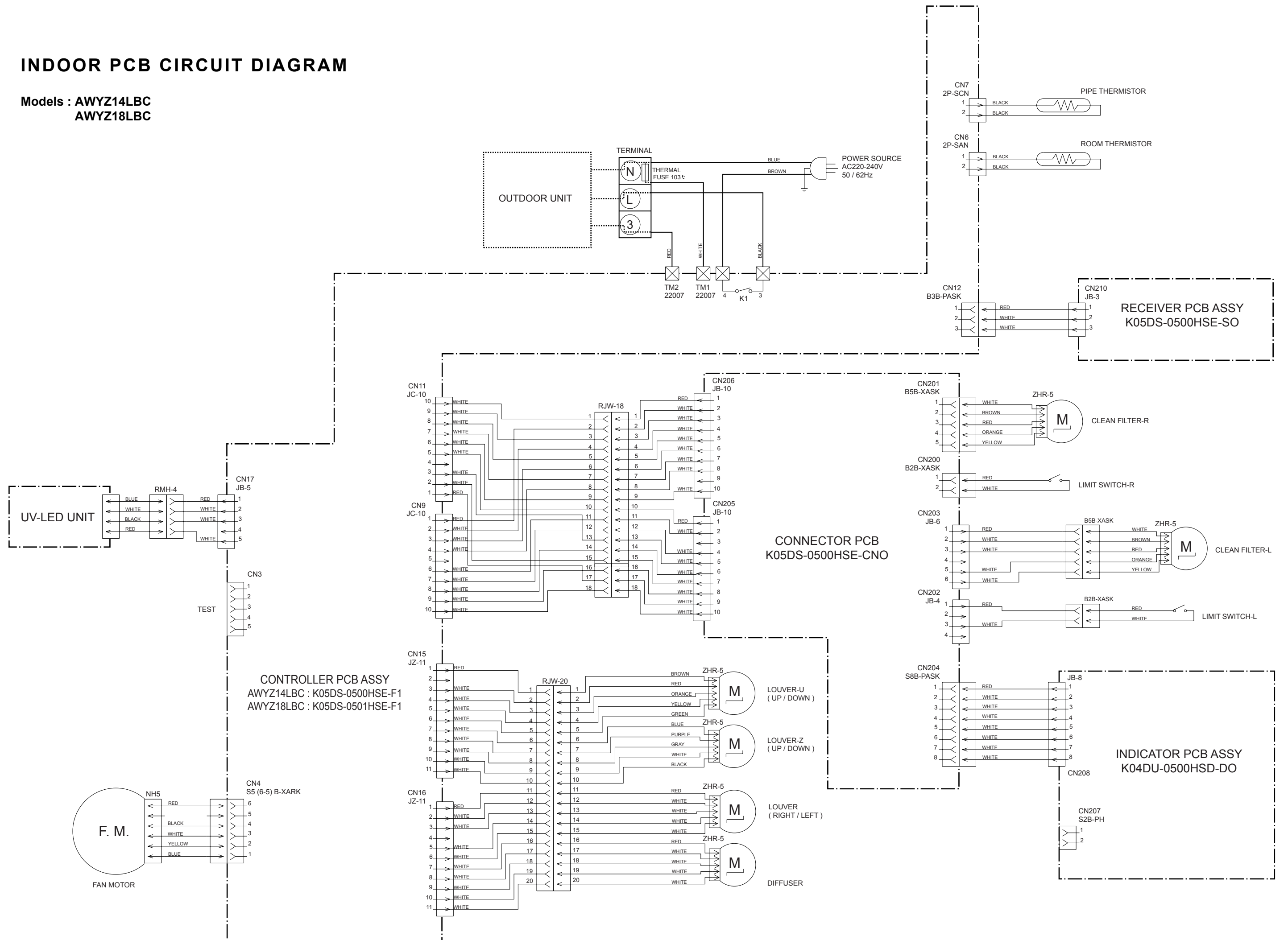


OUTDOOR UNIT



INDOOR PCB CIRCUIT DIAGRAM

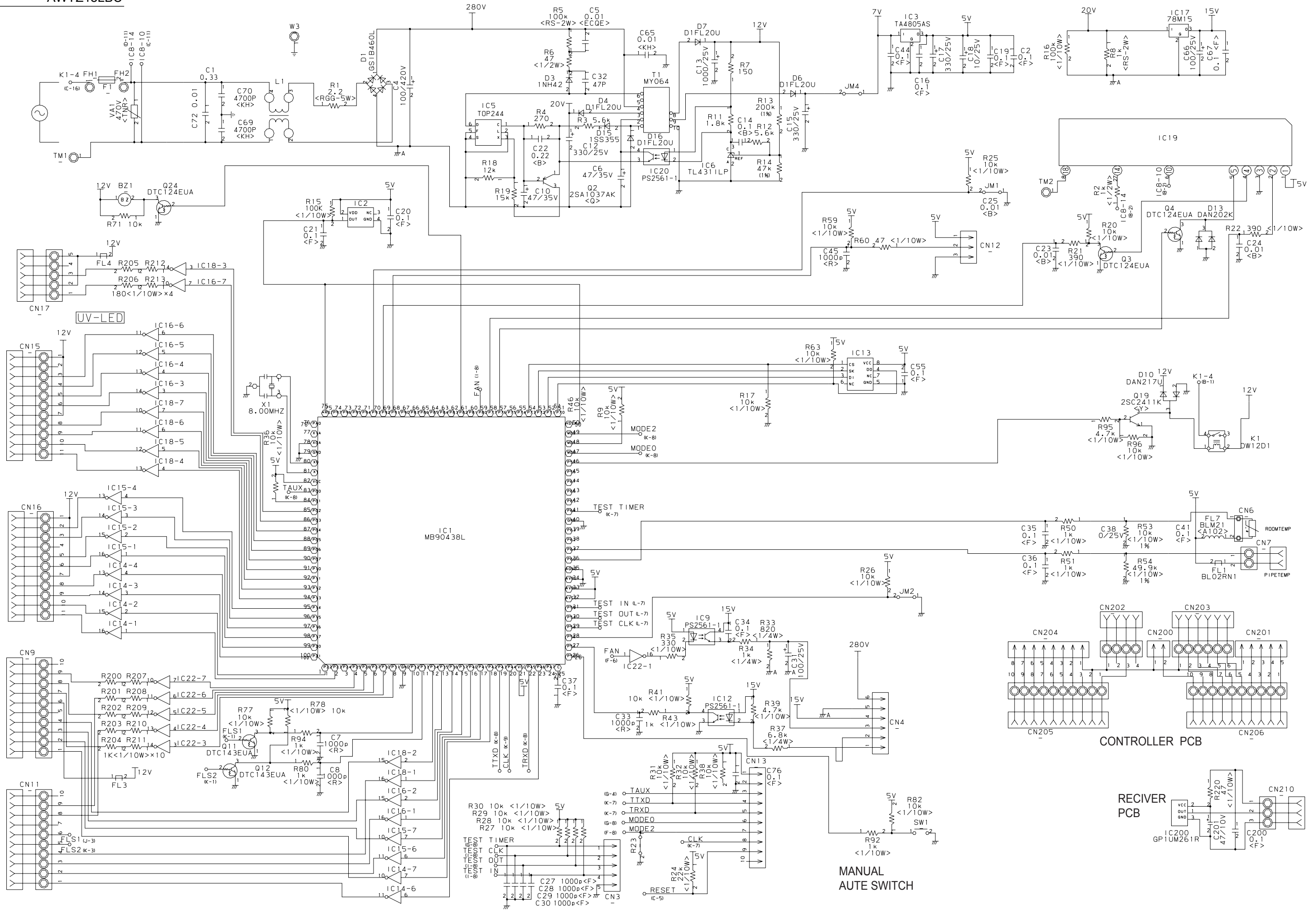
Models : AWYZ14LBC
AWYZ18LBC



Models : AWYZ14LBC
AWYZ18LBC

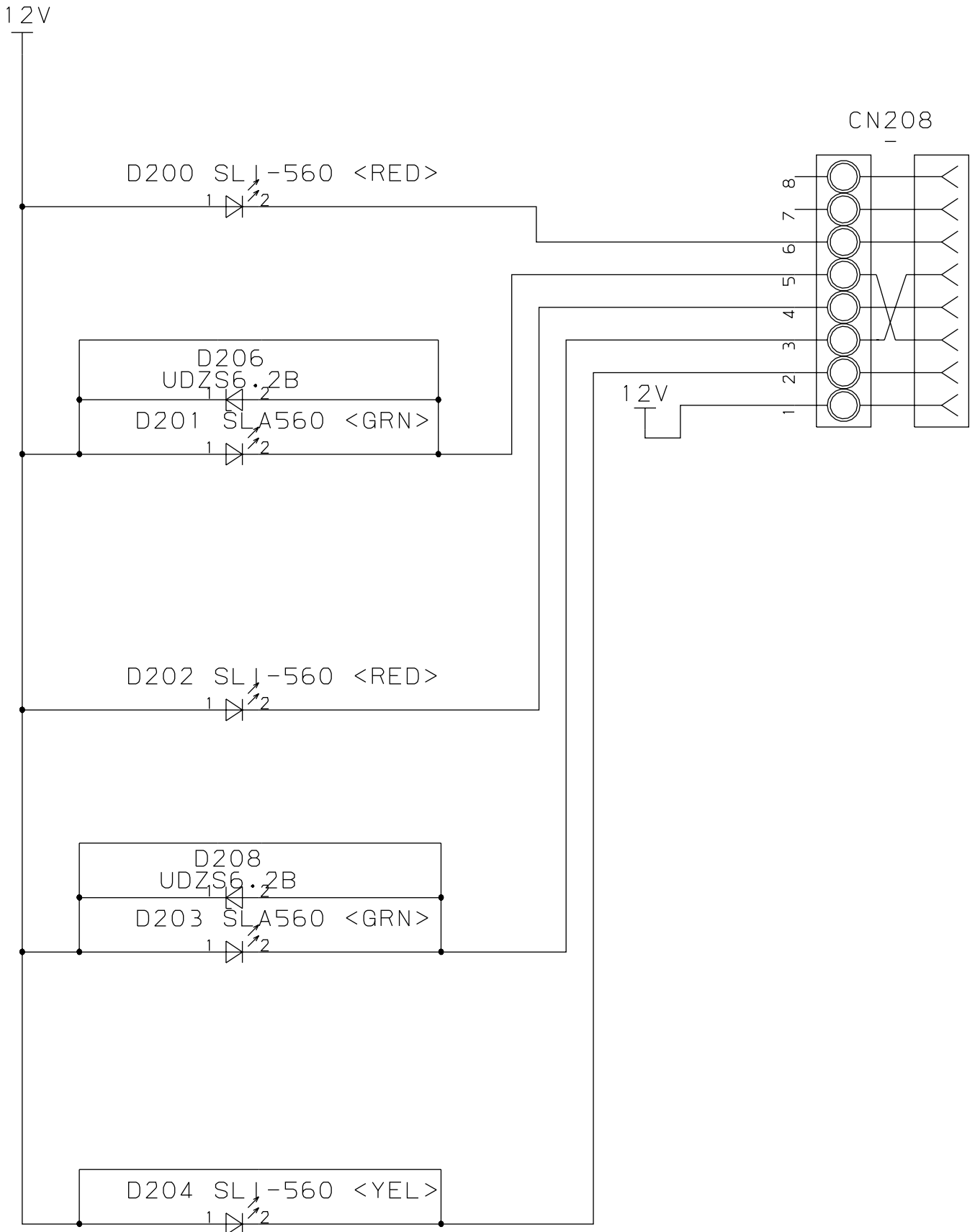
CONTROLLER PCB ASSY

AWYZ14LBC : K05DS-0500HSE-F1
AWYZ18LBC : K05DS-0501HSE-F1

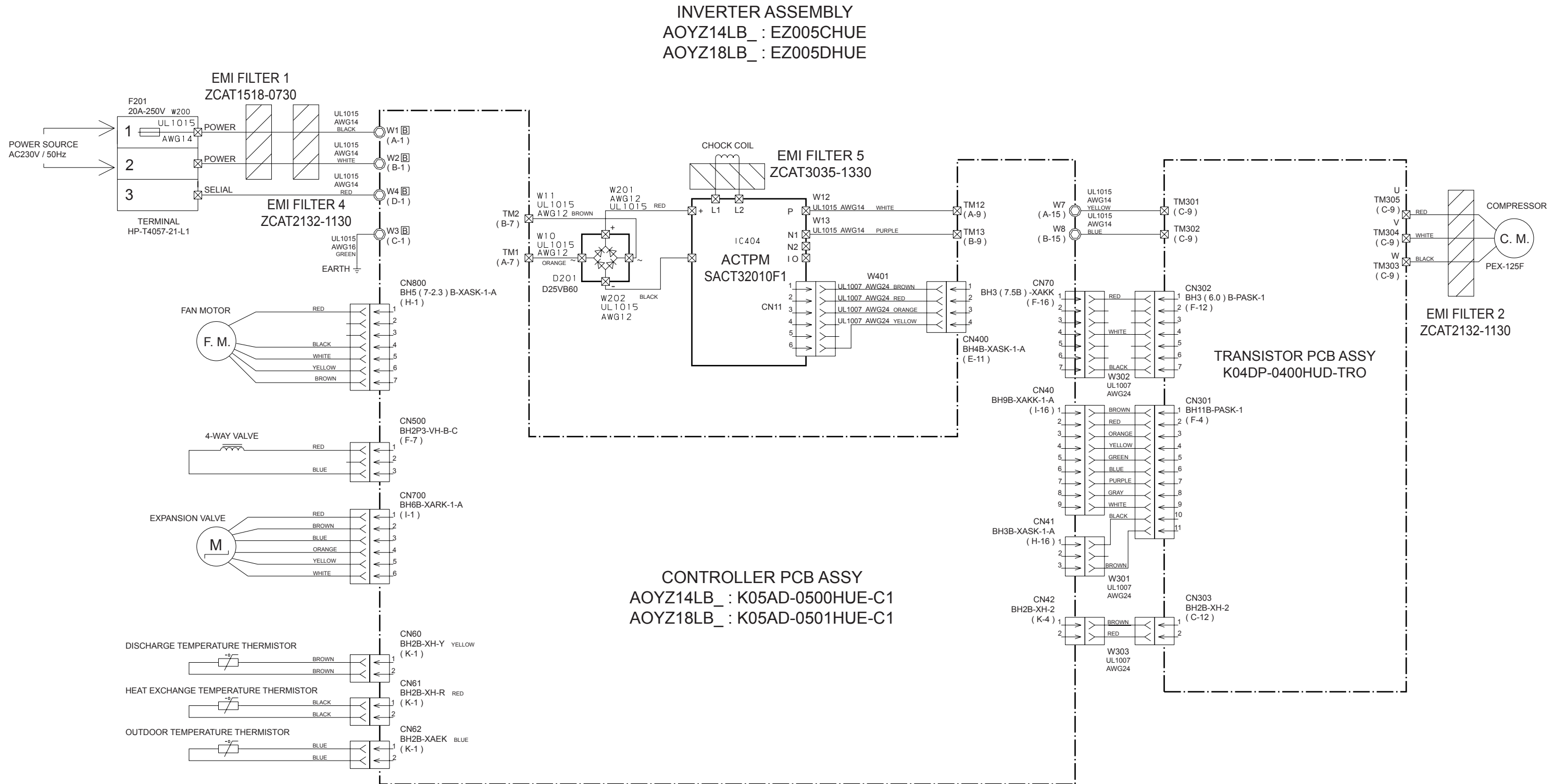


INDICATOR PCB

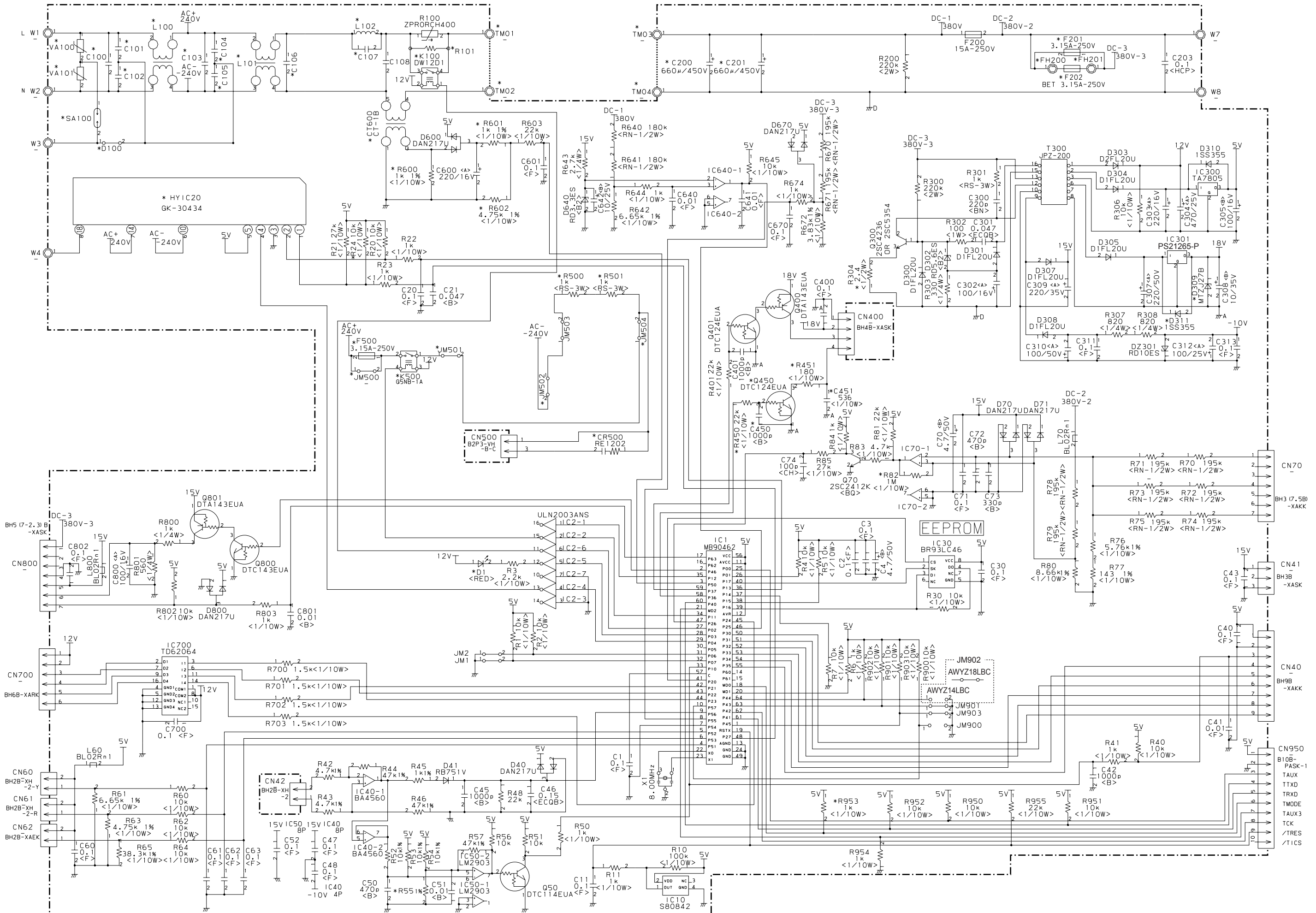
Models : AWYZ14LBC
AWYZ18LBC



OUTDOOR PCB CIRCUIT DIAGRAM



CONTROLLER PCB ASSY
 AOYZ14LB_ : K05AD-0500HUE-C1
 AOYZ18LB_ : K05AD-0501HUE-C1

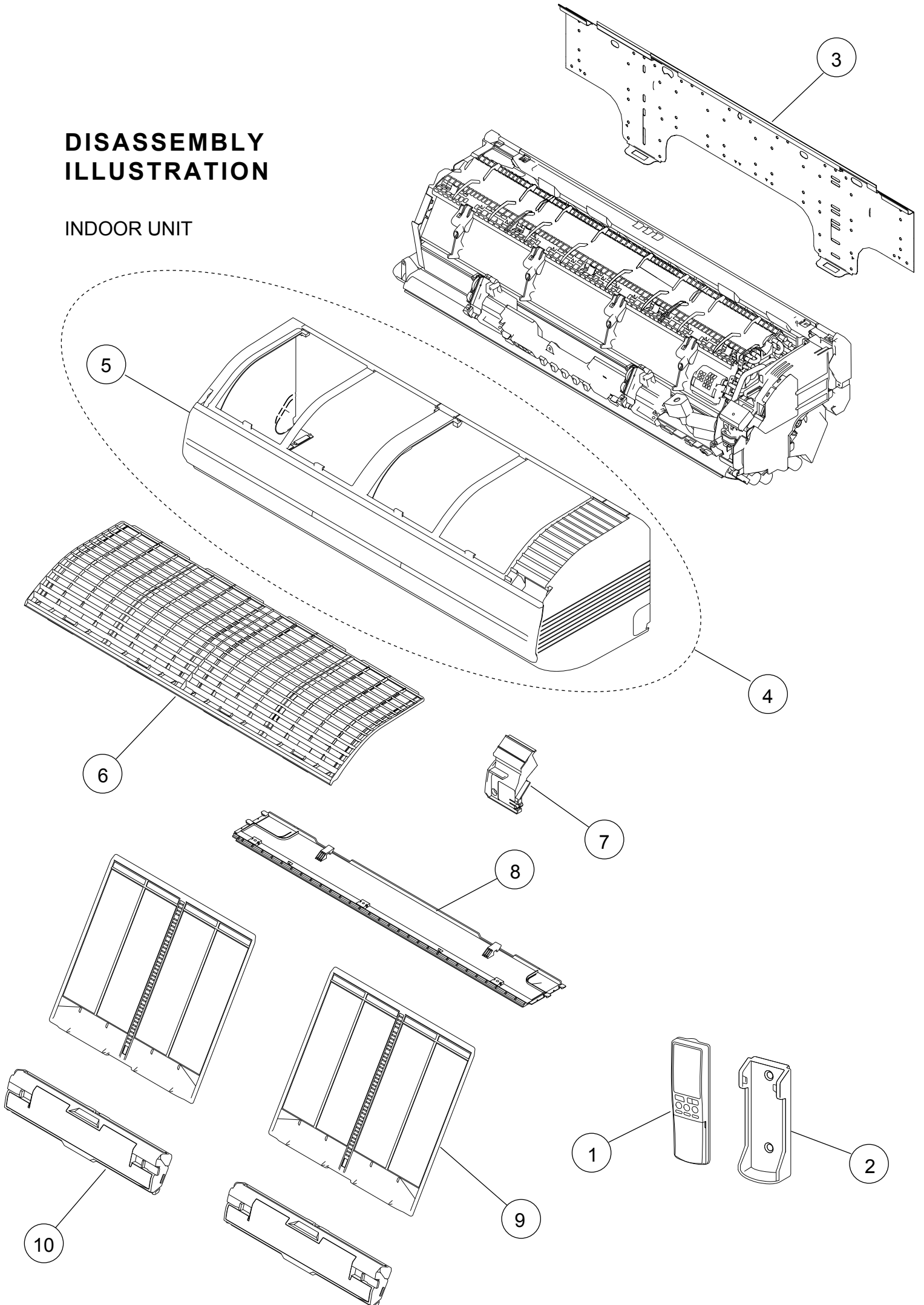


ERROR CONTENTS

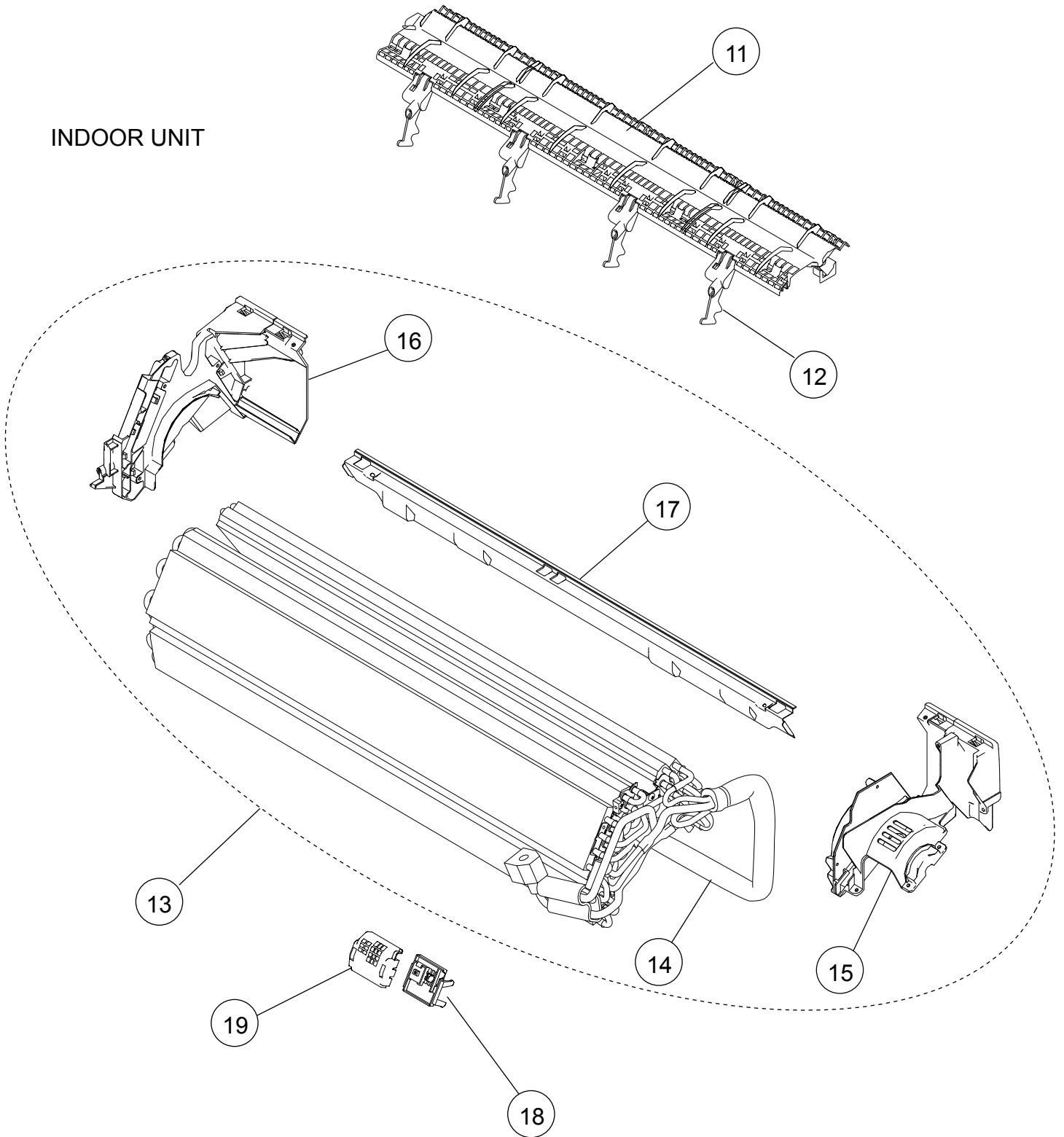
Error	Display		Error
	Operation LED	Timer LED	
Serial signal error	Off	2 flash	Serial signal (reverse) error, at operation start up
		3 flash	Serial signal (reverse) error, during operation
		4 flash	Serial signal (forward) error, at operation start up
		5 flash	Serial signal (forward) error, during operation
Indoor unit thermistor error	2 flash	2 flash	Indoor temperature thermistor open / short
		3 flash	Heat exchanger middle thermistor open / short
Outdoor unit thermistor error	3 flash	2 flash	Discharge thermistor open / short
		3 flash	Heat exchanger thermistor open
		4 flash	Outdoor temperature thermistor open / short
Indoor unit control error	4 flash	2 flash	Forced automatic SW welded
		3 flash	Main relay welded
		4 flash	Power interruption error
Outdoor unit control error	5 flash	2 flash	Current trip error
		3 flash	CT abnormal
		5 flash	Compressor location detection error
		6 flash	Outdoor unit fan drive system abnormal
Indoor fan motor error	6 flash	2 flash	Abnormal lock
		3 flash	Abnormal rotation
Refrigerant cycle error	7 flash	2 flash	Discharge Temperature abnormal
		3 flash	Cooling high pressure abnormal rise
Optional function error	8 flash	2 flash	Active filter abnormal (first time)
		3 flash	Active filter abnormal (second time)
Model error	Blinking	Blinking	Model error

DISASSEMBLY ILLUSTRATION

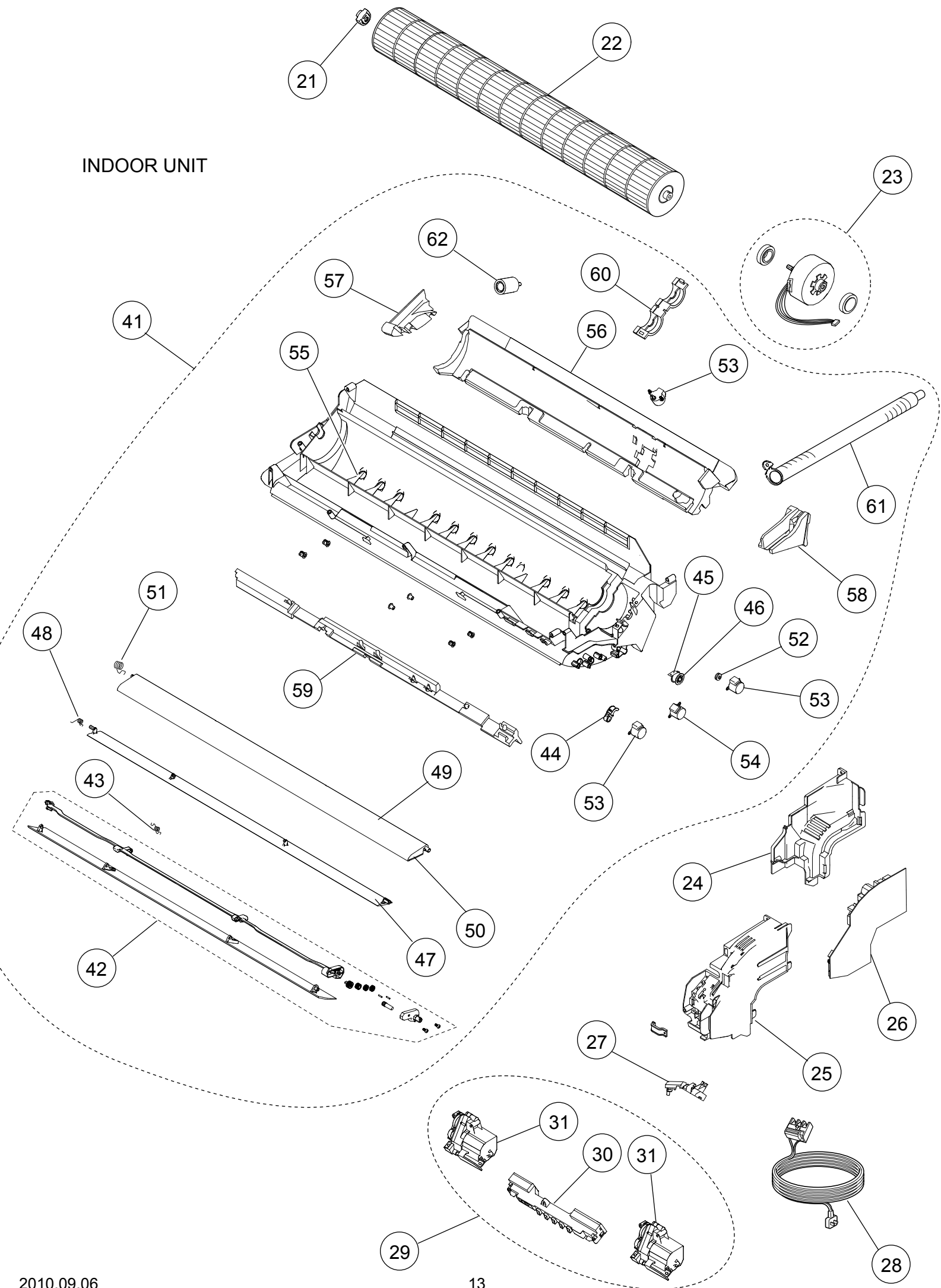
INDOOR UNIT



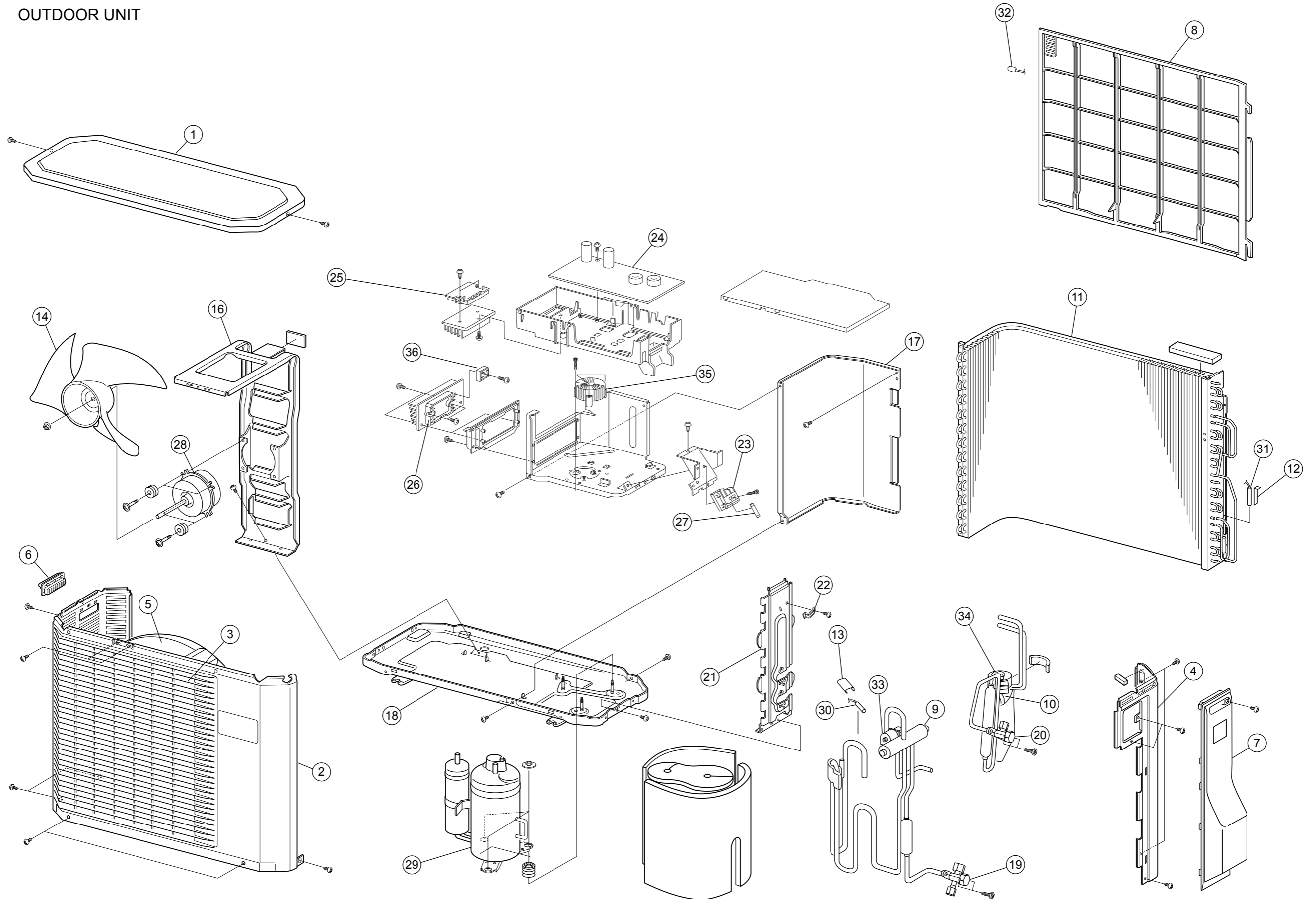
INDOOR UNIT



INDOOR UNIT



OUTDOOR UNIT



PARTS LIST

INDOOR UNIT

Ref.	Description	Part number	
1	Remote Control	9314157028	
2	Remote Control Holder	9312947010	
3	Bracket Panel	9312011018	
4	Front Panel Total Assy	9313882150	
5	Open Panel Assy	9314405037	
6	Top Grill	9313848019	
7	Top Cover	9313849023	
8	Under Cover	9313850029	
9	Air Filter	9313859015	
10	Dust Box Assy	9313884024	
11	Filter Guide	9313841010	
12	UV Unit	9313890018	
13	Evaporator Total Assy	9314964015	
14	Joint Pipe Assy	9314111020	
15	Evaporator Holder R	9313833015	
16	Evaporator Holder L	9313834012	
17	Rear Bracket	9312416011	
18	Sensor Case	9313843014	
19	Sensor Cover	9313853013	
21	Bearing C Assy	9306628017	
22	Crossflow Fan Assy	9312004010	
23	Fan Motor Assy	9601888017	
24	Control Box	9312005017	
25	Controll Cover	9312006014	
26	PCB Assy (14)	9707154016	
26	PCB Assy (18)	9707154023	

Ref.	Description	Part number	
27	Receiver Case	9313842017	
28	Power Cord Assy	9900339029	
29	Display Assy	9705808027	
30	Indicator PCB	9705809024	
31	Gear Box Assy	9313880019	
41	Casing Assy	9313877040	
42	Louver U Assy	9312243037	
43	Spring EL	9312194001	
44	Louver Cam	9312000012	
45	Tension A	9312197002	
46	Spring Holder	9311999010	
47	Louver Z	9311996033	
48	Spring F	9314143014	
49	Diffuser U	9313856014	
50	Diffuser Z	9313857011	
51	Spring C	9314142017	
52	Gear A	9309994003	
53	Stepping Motor	9900467005	
54	Stepping Motor (Pink)	9900527006	
55	R and L Louver	9313858018	
56	Casing Cover B	9313838010	
57	Casing Cover L	9313887018	
58	Casing Cover R	9313888015	
59	Casing Cover F	9313839017	
60	Motor Cover	9313840013	
61	Drain Hose Assy	9314147012	
62	Drain Cap Assy	9304150008	

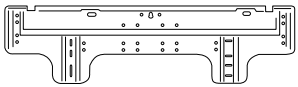
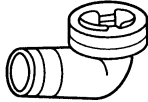
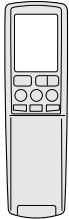
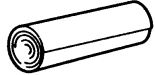
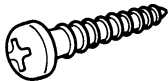
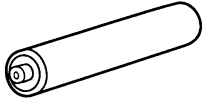

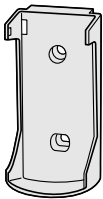
PCB Assy
= Controller PCB + Receiver PCB + Connector PCB

OUTDOOR UNIT

Ref.	Description	Part number	
1	Top Panel Assy	9309230057	
2	Cabinet Sub Assy	9314809040	
3	Blow Grill	9308884015	
4	Cabinet Right Assy	9309236011	
5	Fan Ring	9308885012	
6	Grip	9308880017	
7	Switch Cover Assy	9309237025	
8	Protective Net	9315319012	
9	4-way Valve	9970036019	
10	Pulse Motor Valve Assy	9314444012	
11	Condenser Assy	9314040023	
12	Thermo Spring A	313728262708	
13	Thermo Spring	9300089012	
14	Propeller Fan	9309909014	
16	Motor Bracket	9308872012	
17	Separater	9312032020	
18	Base Assy	9308869081	
19	3-way Valve Assy	9315159014	
20	2-way Valve Assy	9313062019	
21	Valve Bracket	9308870025	
22	Cord Clamp	9307271014	
23	Terminal 3P	9306489038	
24	Inverter PCB Assy (14)	9707132014	
24	Inverter PCB Assy (18)	9707132021	
25	TR PCB Assy	9705753013	
26	ACTPM	9703457012	
27	Fuse	0600086190	
28	Fan Motor	9601815013	
29	Compressor Assy	9314061011	
30	Discharge Pipe Thermistor	9704219091	
31	Heat Exchanger Thermistor	9704220028	
32	Outdoor Thermistor	9703516092	
33	Solenoid	9970055010	
34	Expansion Valve Coil	9900057039	
35	Choke coil	9703458019	
36	Diode Bridge	0100122107	
---	Emblem	9315210012	
---	Discharge Pipe Assy	9315283016	

ACCESSORIES

The following installation accessories are supplied.
Use them as required.

Name and Shape	Q'ty	Name and Shape	Q'ty
Wall hook bracket  9312011018	1	Drain pipe  9303029022	1
Remote control  9315029010	1	Cloth tape  9308117007	1
		Tapping screw (big)  0700076046	8
Battery  0600185046	2	Tapping screw (small)  0700019036	2
		Remote control unit holder  9312947010	1

0512G2969